

HTG

LARGE HOUSING FOR THERMAL CAMERAS

MAIN FEATURES

Germanium window

IP66/IP67

Integrated heater

Available accessories: camera power supply

DESCRIPTION

This housing has been designed to fit thermal cameras with large lenses for vision even in total darkness, fog, rain and smoke, or for long distances.

It can be used for a wide range of day/night surveillance systems, such as monitoring and rescue in the event of a fire, public safety or airport, industrial and environmental surveillance.

The opening system allows an easy access for installation and servicing.

It can be installed with cable sheaths, instead of regular cable glands using the junction box for the wiring harness.



HTG

AVAILABLE MODELS				
Model Number	Housing sunshield	Power supply 120/230Vac	Power supply 24Vac	Ø germanium window
HTG37K1A000	✓	✓	–	55mm (2.1in)
HTG37K2A000	✓	–	✓	55mm (2.1in)

TECHNICAL DATA

GENERAL

Germanium window
 Die-cast aluminium back and front cover plates
 Extruded aluminium body and external slide
 Epoxypolyester powder painting, RAL9002 colour
 Stainless steel external screws

MECHANICAL

Cable glands: 3xM16
 Internal usable area (WxH): 134x88mm (5.1x3.5in)
 Internal usable length (with or without accessories): 273mm (10.7in)
 Unit weight: 4.1kg (9lb)

HOUSING'S WINDOW

Germanium window

- Usable diameter: 55mm (2.1in)
- Thick: 2mm (0.07in)
- External treatment: scratch resistant (Hard Carbon Coating - DLC), non-reflective
- Internal treatment: non-reflective
- Spectral range: from 7.5µm up to 14µm
- Medium transmittance (from 7.5µm up to 11.5µm): 90%
- Medium transmittance (from 11.5µm up to 14µm): 77%

ELECTRICAL

Heater (Ton 15°C±3°C (59°F±5°F), Toff 22°C±3°C (72°F±5°F))

- Power supply/Consumption: IN 12Vdc/24Vac, 20W max
- Power supply/Consumption: IN 120/230Vac, 40W max

Camera power supply

- IN 100-240Vac, 50/60Hz - OUT 12Vdc, 1.25A
- IN 230Vac, 50Hz - OUT 24Vac, 50Hz, 400mA

ENVIRONMENT

For installation indoors and outdoors
 Operating temperature with heating: from -20°C (-4°F) up to +60°C (140°F)

CERTIFICATIONS

Electrical safety (CE): EN60065
 Electromagnetic compatibility (CE): EN50130-4, EN61000-6-3
 IP protection degree: EN60529 (IP66/IP67, with cable glands)
 EAC certification

ACCESSORIES

OHEPS19B	Wide range camera power supply IN 100-240Vac - OUT 12Vdc, 1.25A, for VERSO, VERSO POLAR, VERSO COMPACT, HEG, HTG housings
OHEPS20	Camera power supply IN 230Vac - OUT 24Vac, 10VA, for VERSO, VERSO POLAR, VERSO COMPACT, HEG, HTG housings
OHEGBPS1B	Wide range camera power supply IN 100-240Vac - OUT 12Vdc, 1.25A, in weatherproof box, for VERSO, VERSO POLAR, HEG, HTG housings
OHEGBPS2B	Camera power supply IN 230Vac - OUT 24Vac in weatherproof box, 10VA, for VERSO, VERSO POLAR, HEG, HTG housings
OHEGBB	Weatherproof junction box

RELATED PRODUCTS

PTH900	Horizontal/vertical Pan & Tilt
--------	--------------------------------

BRACKETS AND ADAPTORS

WBJA	Wall mount bracket
WCM5A	Ceiling bracket with ball joint
WFWCA	Column bracket with joint

SPARE PARTS

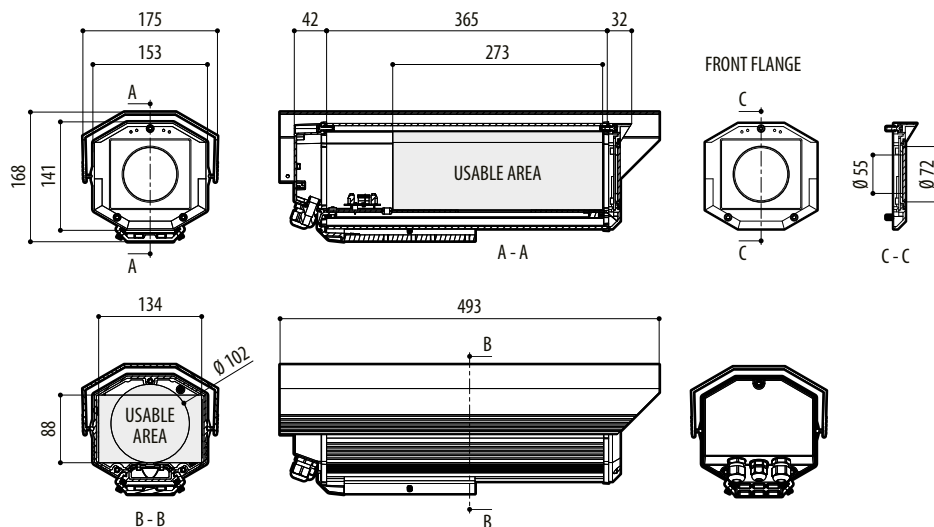
OHEH24B	Heater 120/230Vac for HEG, HTG housings
OHEH25B	Heater 12Vdc/24Vac for HEG, HTG housings
DOTHE01	Spacers for camera and lens
OHEGNMAN	Cable glands, gaskets and screws
OHEGFPN04	Back cover with cable glands, gaskets and screws
OHTGFA	Front cover with germanium window

PACKAGE

Model Number	Weight	Dimensions (WxHxL)	Master carton
HTG37K1A000	4.5kg (9.9lb)	19.5x20x52.5cm (7.7x7.9x20.7in)	-

TECHNICAL DRAWINGS

The dimensions of the drawings are in millimetres.



HTG