

DC-T3234HRX

- Easy installation with DirectIP NVR
- Full HD (1080p) resolution
- Motorized Vari-focal lens (f=3.3 - 10mm)
- micro SD / SDHC / SDXC, Smart Failover
- (Up to 128GB)
- Two-way audio
- Alarm In / out
- IP66 supports
- Built-in heater
- PoE (IEEE 802.3af Class 3), 12VDC
- Day and night (ICR)
- True wide dynamic range (WDR)
- IR LED (Distance : 30m)
- 3-axis mechanical design for installation
- Supports ONVIF

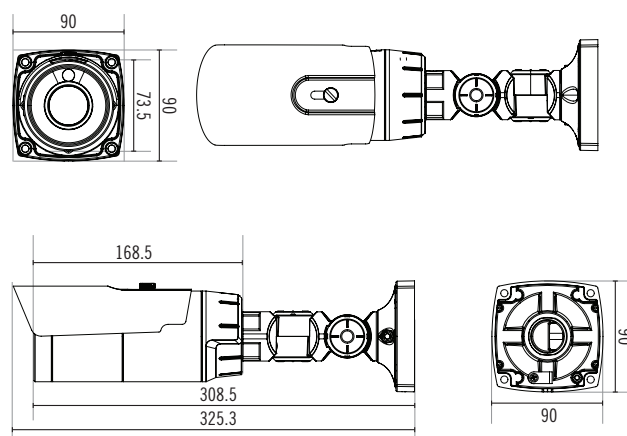


SPECIFICATIONS

VIDEO		
Image Sensor	1/3" CMOS	
Max. Resolution	1920 x 1080	
Scanning Mode	Progressive Scan	
Lens Type	Motorized Vari-focal	
Focal Length	f=3.3 - 10mm	
Aperture	F=1.3 - 2.5	
Iris Control	P-Iris	
Angular Field of View	Wide : 94.0° (H), 50.0° (V), 110.0° (D) Tele : 31.8° (H), 18.0° (V), 36.6° (D)	
Min. Illumination	Color : 0.1 Lux @ F1.3 B/W : 0 Lux (IR LED On)	
Dynamic Range	120dB (True WDR)	
Electronic Shutter Speed	Auto / Manual (1/30 ~ 1/10000), Anti-Flicker, Slow Shutter (1 ~ 1/5, 1/7.5, 1/15)	
Day and Night	IR Cut Filter with Auto Switch	
IR Distance (LEDs)	30 m / 98.4 ft (24 ea) / White LED (6 ea)	
Image Setting	Configurable Exposure, White Balance, Sharpness	
Digital Noise Reduction	Configurable 2DNR / 3DNR	
Backlight Compensation	On / Off / HSBC	
Mirroring / Pivot	Horizontal / Vertical / Pivot	
Image Stabilizer	-	
De-fog	On / Off	
Privacy Masking	8 Zones	
Intelligent Video	Video Motion Detection, Active Tampering Alarm, Trip Zone	
Video Out	1 BNC	
NETWORK		
	DirectIP Mode	Compatibility Mode
Video Compression	H.265, H.264 (MP), M-JPEG	
Intelligent Codec	Supported	
Bitrate Control	H.264 - CBR / VBR, H.265 - CBR / VBR	
Audio Compression	G.726, G.711	
Two-way Audio	Yes	
IP Camera Protocol	DirectIP	IDIS ONVIF Profile S
Max. Frame Rate	30ips : 1920 x 1080 (WDR)	60ips : 1920 x 1080 30ips : 1920 x 1080 (WDR)
Supported Resolution	1920 x 1080, 1280 x 720, 704 x 480, 640 x 360, 352 x 240	1920 x 1080, 1280 x 720, 704 x 480, 640 x 360, 352 x 240
Multi-video Streaming	Quadruple Streaming	Quadruple Streaming
Network Protocols	DirectIP Protocol	RTP/RTSP/TCP, RTP/RTSP/HTTP/TCP, RTP/UDP RTSP/TCP, HTTP, HTTPS, FTP, SNTP, SMTP, FEN, mDNS, uPNP
Security	SSL Encryption	Multi-user Authority, IEEE 802.1x, IP Filtering, HTTPS, SSL Encryption
Remote Access Client	DirectIP NVR Connection	IDIS Web, IDIS Mobile, IDIS Solution Suite
Ethernet	RJ45 (10/100/1000 BASE-T)	
Recording Session Buffer	Yes (Up to 60MB)	
Edge Storage	micro SD / SDHC / SDXC, Smart Failover (Up to 128GB)	
ALARM AND EVENT		
Trigger Event	Motion Detection, Audio Detection, Tampering, Trip Zone	
Event Notification	Remote S/W, Email (With Image)	
Audio In / Out	Line-in 1ea / Line-out 1ea	
Alarm In / Out	Input 1ea / Output 1ea	
ENVIRONMENTAL		
Vandal Proof Casing	-	
Outdoor Ready	IP66, Heater	
Operating Temperature	-40°C ~ +55°C (-40°F ~ +131°F) *Starting Up at Above -20°C (-4°F)	
Operating Humidity	0% ~ 90%	
ELECTRICAL		
Power Source	12VDC, PoE (IEEE 802.3af Class 3)	
Power Consumption	9.24W	
Approvals	FCC, CE, KC	
MECHANICAL		
Dimensions	Ø73.5mm x 308.5mm (Ø2.9" x 12.15")	
Weight	1.17kg (2.58lb)	

DIMENSIONS

(Unit - mm)



ACCESSORIES (OPTIONAL)



ACCESSORIES CONFIGURATION TREE

